

SELECTIVE CONFORMAL COATING AND DISPENSING SOLUTIONS

NEEDLE VALVES



NEEDLE VALVES CFN20 / CFN20SS

Needle Valves dispense very precise deposits over a wide range of shot and bead sized due to a minimal dead fluid one. An external stroke controls adjustment to fine-tune shot sizes. Easy to maintain, with little or no downtime. The compact design and easy-mount threaded hole allows for easy integration into automated applications.

The CFN20 and CFN20SS Adjustable Needle Valve is a pneumatically triggered single-acting valve that can be used with an internal spring close (single action) or may be connected for air closing without the spring (double acting).

FEATURES

- Precise and constant deposit sizes
- Bent dispensing tip placement made easy with rotating CFN20 tip collar
- Low maintenance design



CFN20

CFN20SS

Size Ø x H:	1.12" x 4.6" (28mm x 117mm)	1.12" x 4.6" (28mm x 117mm)
Weight:	0.3lb (136g)	0.5 lb (227g)
Fluid Inlet:	1/8" NPT	1/8" NPT
Fluid Outlet:	Male Luer lock	Male Luer lock
Mounting:	1/4-20UNC-2B	1/4-20UNC-2B
Maximum Fluid Pressure:	300psi (20.7bar)	300psi (20.7bar)
Minimum Operating Pressure:	70psi (4.8bar)	70psi (4.8bar)
Wetted part:	303 SS, Anodized Al, Teflon®, EPR	303 SS, Teflon®, EPR
Cycle Rate:	Exceeds 400cycles/minute	Exceeds 400cycles/minute
Material Viscosity Range:	1 – 100,000cps	1 – 100,000cps



MATERIALS: CONFORMAL COATINGS, ACRYLICS, URETHANES, SILICONES, RTV, BI-COMPONENT MATERIALS, ETC.



SELECTIVE CONFORMAL COATING AND DISPENSING SOLUTIONS

NEEDLE VALVES



NEEDLE VALVES CFM40SS

Needle Valves dispense very precise deposits over a wide range of shot and bead sized due to a minimal dead fluid one. An external stroke control adjustment to fine-tune shot sizes. Easy to maintain, with little or no downtime. The compact design and easy-mount threaded hole allows for easy integration into automated applications.

The CFM40SS Microshot Needle Valve, with its needle closing the fluid path directly on the canula inside the needle body, can dispense very precise deposits down to 0.0005 cm³.

FEATURES

- Precise and constant deposit sizes
- CFM40SS delivers as little as 0.5 micro litre per deposit
- Zero "dead volume" when using CFM40SS
- CFM40SS wetted parts include FDA-compliant 303 stainless steel
- Precise positioning of bent dispense tips due to design of material outlets
- Low maintenance design



Size Ø x H:	1.12" x 5" (28mm x 127mm)
Weight:	0.5 lb (227g)
Fluid Inlet:	1/8" NPT
Fluid Outlet:	Male Luer taper with locking cap
Mounting:	10-32UNF
Maximum Fluid Pressure:	100psi (6.9bar)
Minimum Operating Pressure:	70psi (4.8bar)
Wetted part:	303 SS, Teflon®, EPR
Cycle Rate:	Exceeds 400cycles/minute
Material Viscosity Range:	1 – 100,000cps

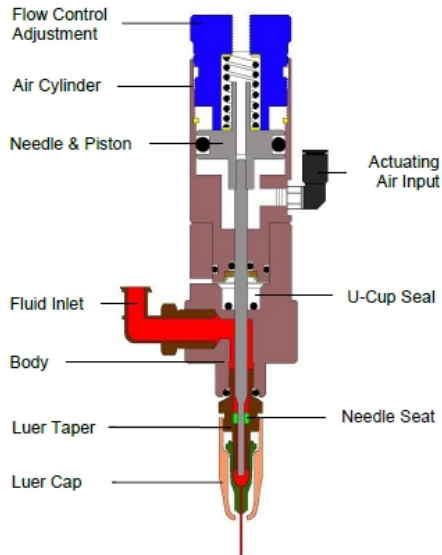


MATERIALS: CONFORMAL COATINGS, ACRYLICS, URETHANES, SILICONES, RTV, BI-COMPONENT MATERIALS, ETC.

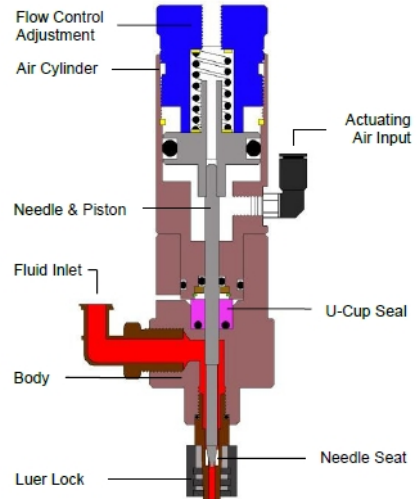


www.coatflow.com

NEEDLE VALVES SPECIFICATIONS



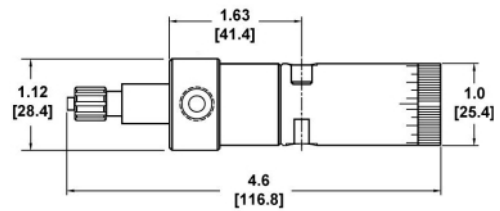
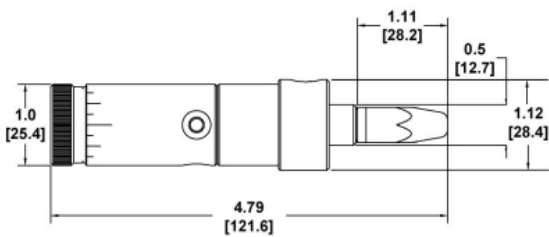
CFN20/CFN20SS



CFM40SS

Dimensions are in inches [mm]

Dimensions are in inches [mm]



INTERNATIONAL SALES DEPARTMENT

TEL. +34 925 258 073
 FAX +34 925 581 457
 coatflow@coatflow.com
www.coatflow.com
www.innomelt.com

LOCAL DISTRIBUTOR:

OTHER COATFLOW SOLUTIONS

